

Drive bolt/slim

2019

gds
gate drive systems australia

Nice

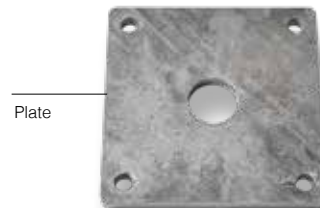
Drive Bolt

Entry level drive bolt

The Drive Bolt ensures secure locking during high wind or attempted forced entry.

Drive bolt

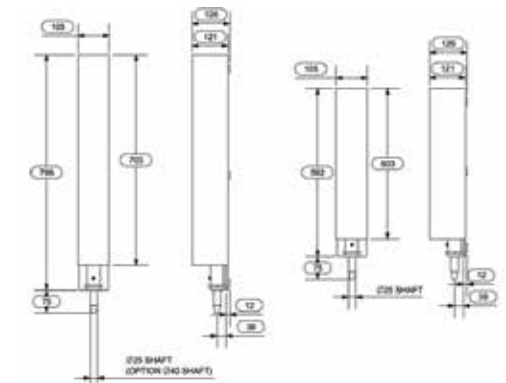
- 24V DC operation to allow wiring directly to the control panel outputs
- sequencing with the gate through the control panel is automated to allow a four second delay after operation of the drive bolt to allow the gate to open
- can be used to lock the gate in the open or closed positions
- 25mm stainless steel (option of 40mm shaft)
- 130mm travel
- Unique override system will not allow the pin to jam and overload if the pin doesn't line up with the hole



Sequencing with the gate through the control panel is automated to allow a four second delay after operation of the drive bolt to allow the gate to open



DIMENSIONS



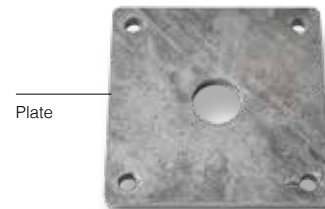
Drive Bolt/Slim

Drive bolt GDS DB slim

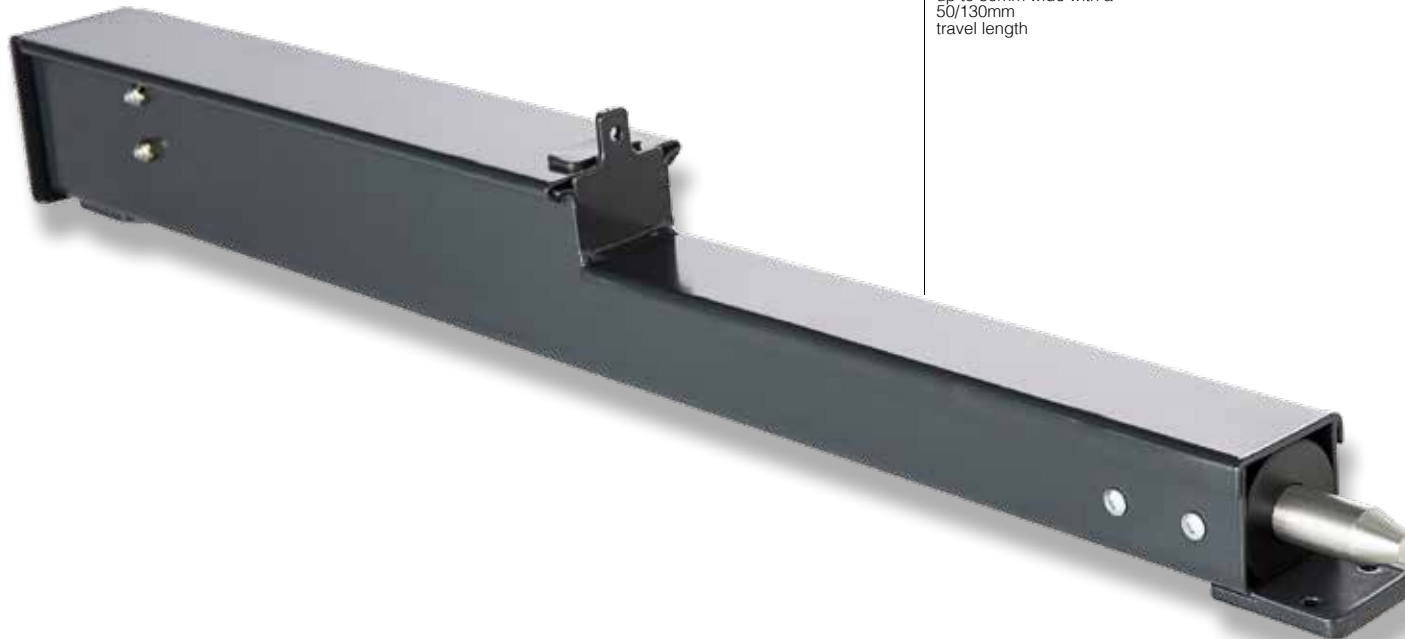
The Drive Bolt/Slim is designed for smaller gate frames - up to 50mm wide with a 50/130 travel length. The Drive Bolt ensures secure locking during high wind or attempted forced entry.

Drive bolt

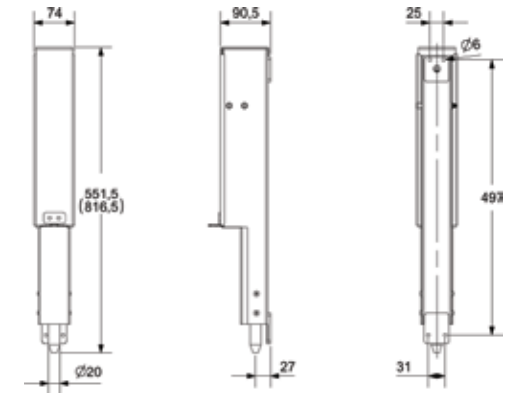
- 24V DC operation to allow wiring directly to the control panel outputs
- sequencing with the gate through the control panel is automated to allow a four second delay after operation of the drive bolt to allow the gate to open
- can be used to lock the gate in the open or closed positions
- 25mm stainless steel (option of 40mm shaft)
- 50-130mm travel
- Unique override system will not allow the pin to jam and overload if the pin doesn't line up with the hole



Designed for smaller gate frames - up to 50mm wide with a 50/130mm travel length



DIMENSIONS





Residential, commercial and industrial systems for the automation and control of gates and barriers

Nice residential systems providing integrated management using smart and intuitive interfaces: practical, functional and elegant solutions to help you enjoy your living spaces to the full.

Nice Australia produce industrial quality GDS products designed and manufactured in Australia, for Australian conditions. Gate drive systems are 100% duty cycle with intelligent inverters that allow the installer a vast amount of options.

The products are underpinned by exceptional service and support direct from the Australian manufacturer.

Nice

Nice Australia
8 Bennet Ave
Melrose Park SA 5039
1300 00 NICE
niceforyou.com/au



NiceLoveEarth

Nice cares for the environment. Using natural paper it avoids excessive use of raw materials and forest exploitation. Waste is reduced, energy is saved and climate quality is improved.

gds
gate drive systems australia